

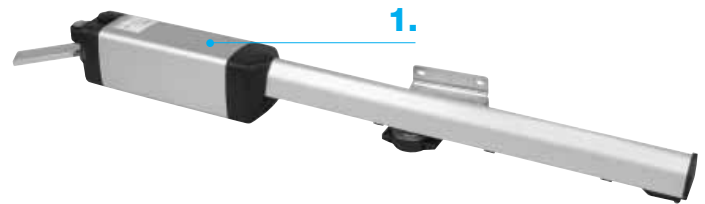
Linear LRA

Swing Gate Operator

Pairing the APeX controller, packed with features for easier setup, with a durable actuator, Linear is revolutionizing residential gate automation. Replacing traditional mechanical limits with magnetic limits that don't wear out in harsh conditions, the Linear LRA is designed for consistent, reliable gate operation.

1. LRA Actuator

- Magnetic limit switches for reliable operation
- Aluminum housing provides protection from the elements without rusting
- 24-VDC motor



2. LRA Controller

- European-style field wiring connectors with easy-to-understand graphics
- Intuitive controls with no dipswitches or potentiometers, for simple configuration
- Fully integrated MegaCode radio receiver



3. Battery Backup

- Dual 7Ah batteries charged by 115 VAC or optional solar panels*
- Charging circuit automatically switches to batteries when AC is removed, and normal AC operation when power is restored

4. Weather-Resistant Cabinet

- NEMA 4 Fiberglass enclosure
- Paintable to match any decor

*Contact Linear for solar panel requirements in your area

Visit us at linearcorp.com/lra
or call 1-800-421-1587.

Access Controls

Commercial Door Operators

Residential Door Operators

>Gate Operators

Radio Controls

Linear[®]
Building On Innovation.

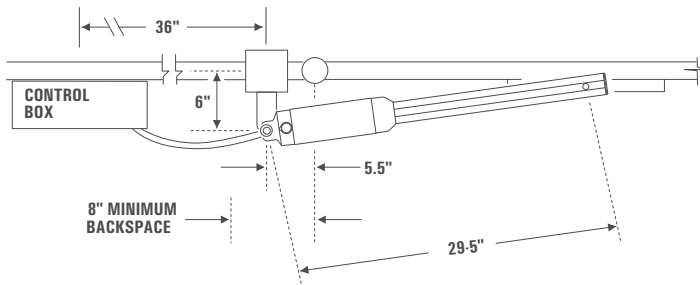
Linear LRA Swing Gate Operator Specifications

Model	Type	Power Supply	Maximum Leaf Width	Maximum Leaf Weight	Seconds Open Gate	Shipping Weight	Duty Cycle
LRA	Single	115 VAC or solar panels*	16'	600 lbs.	15-18	50 lbs.	60 cycles per day

*Optional solar panel — contact Linear for solar panel requirements in your area.

Linear LRA Swing Gate Operator

- Recommended distances for proper operation



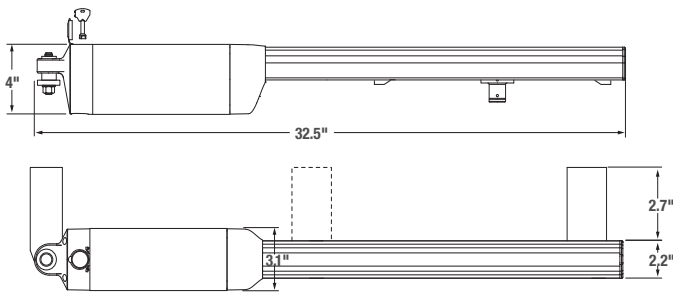
Features:

- APeX controller with outdoor-rated fiberglass enclosure
- Magnetic switches for limit setting
- Works on gates up to 16' in length and up to 600 lbs.
- 60-Cycle/day capability
- 16" stroke length
- 24-VDC motor
- Adjustable soft-start/soft-stop capability
- 15-18-second cycle time for 90 degrees
- 2-Year warranty
- Silver finish
- UL325 Class I, II, III, and IV listed in USA & Canada

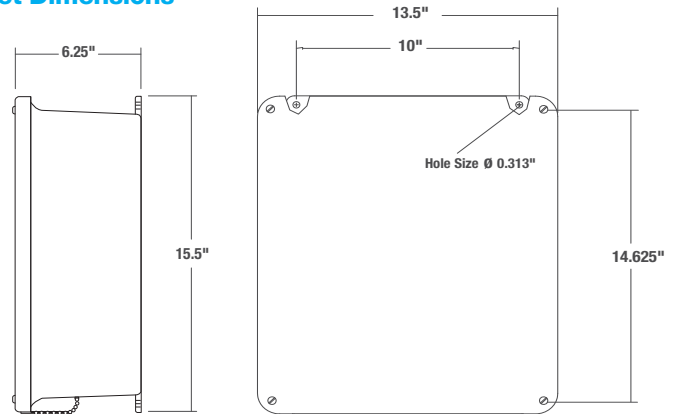
Summary:

- Featuring the APeX controller for easy installation and setup
- Magnetic limits for improved reliability
- Aluminum housing provides protection from the elements without rusting
- Sleek design with no motor or gear protruding from the arm
- Includes battery backup that can be recharged with optional solar panels
- Dual controller feature allows for added flexibility

Arm Dimensions



Cabinet Dimensions



- Supporters and proud members of



- All models ETL Listed, UL325 compliant



Cautions:

- Automatic gate operators designed for vehicular traffic only; operators are powerful and can cause serious injury or death; DIRECT ALL PEDESTRIAN TRAFFIC TOWARDS SEPARATE PEDESTRIAN GATE
- Automatic gates not for pedestrians
- UL325 requires use of contact or non-contact anti-entrapment devices

All these brands are now under one name.

