



# 9150 VEHICULAR SLIDE GATE OPERATOR



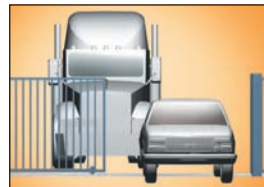
**entrapment**  
prevention system  
reverses gate on contact



**fail-safe release**  
Never be locked out (or in)  
of your property



**built in**  
power and reset switches

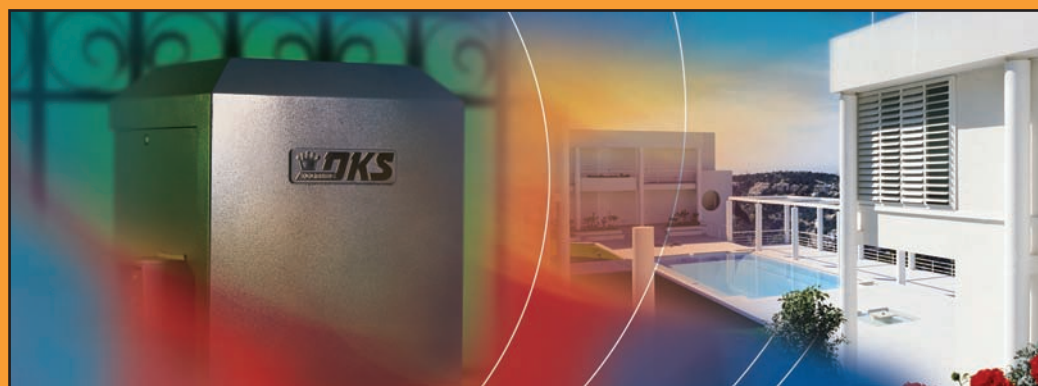


**partial open**  
allows long gates to open 14  
feet for automobile traffic, or  
opens gate fully for large trucks  
or oversized vans

- Electronic magnetic limits eliminate old style mechanical switches that can wear out, break, or fail
- Automatic self-setting limits mean no limit switch adjustments – ever
- Safety – built-in mechanical and electronic reverse system
- Special anti-tailgating feature helps to reduce unauthorized vehicle access
- Advanced microprocessor control board features programming switches to set the mode of operation required and has ports for DKS plug-in loop detectors to simplify wiring
- Convenience outlets for accessory transformers
- G90 galvanized steel frame prevents rusting
- This operator meets or exceeds the requirements of the UL 325 and UL 991 safety standards and is ETL Listed
- 5-year limited warranty

FEATURES

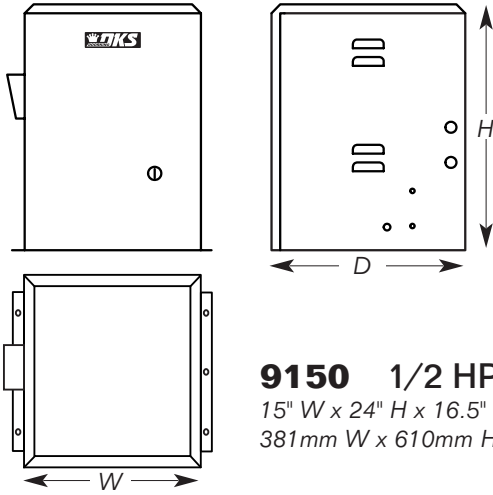
ACCESS CONTROL SOLUTIONS





# 9150 VEHICULAR SLIDE GATE OPERATOR

The DKS 9150 series of slide gate operators offer convenience, reliability and safe operation in a small, compact design. These operators are ideally used in residential, commercial or industrial high-use applications. The innovative fail-safe design of these operators significantly reduces the chance of injury or entrapment and makes these operators the safest slide gate operators in the market today! Designed with versatility in mind, these operators can be configured for front, center or rear drive applications and can be configured for front, center or rear drive applications and can be pad or post mounted.



**9150 1/2 HP & 1 HP**  
15" W x 24" H x 16.5" D  
381mm W x 610mm H x 419mm D

## 9150 1/2 HP Specs

Class of operation	Max Gate Length *	Max Gate Weight *	HP	Power	Convenience Open Package
I, II, III, IV	30 Ft (9.1 m)	1000 Lbs. (453.6 kg)	1/2 HP 60 cycles/hr continuous duty	115 VAC, 60 Hz, 5.4A 230 VAC, 60 Hz, 2.7A** 460 VAC, 60 Hz, 1.4A**	Optional

## 9150 1 HP Specs

Class of operation	Max Gate Length *	Max Gate Weight *	HP	Power	Convenience Open Package
I, II, III, IV	45 Ft (13.7 m)	1500 Lbs. (680.3 kg)	1HP 60 cycles/hr continuous duty	115 VAC, 60 Hz, 7.0A 230 VAC, 60 Hz, 3.5A** 460 VAC, 60 Hz, 1.8A**	Optional

\* Assumes gate to be in good condition and must be on a level surface.  
When combined with convenience open option, 1/2HP max weight is 800 Lbs., and 1300 Lbs. with 1HP.

\*\* These operators use a step-down transformer, to achieve 115 VAC operating voltage.

## General Specs

### Mechanical

Primary Reduction: Single cog belt  
Chain: #40  
Speed: Approximately 10 in/sec (254 mm/sec)  
Cover: Steel cover is plated and painted  
Frame: G90 Galvanized steel to prevent rusting

### Manual Release

Fail Safe: Push gate open  
Fail Secure: Keyed release optional

### Operator kit

includes chain brackets, hardware, and 20-foot (6 m) of #40 chain

### Note

Secondary entrapment prevention devices are required with this gate operator

### DOORKING, INC.

120 Glasgow Avenue, Inglewood, California 90301 U.S.A. Tel: 310-645-0023 FAX: 310-641-1586 www.doorking.com

© 2006 All Rights Reserved. Product specifications may change without notice. Rev. 4/06

### Advanced Features

Automatic limit adjustment  
Auto-close timer 1-23 sec  
Selectable stop / reverse loop function  
Timer override feature helps prevent tailgating  
Partial open feature  
Built in On / Off switch  
Built in alarm reset switch  
Two 115 VAC convenience outlets for accessory transformers  
Automatically assumes fail-safe mode when an entrapment condition exists  
Ports for plug-in open and reverse loop detectors. DKS plug-in detectors only  
Gate Tacker reporting output provides operator data to access control system (DKS systems with card access only)

### Safety Standards

Complies with the UL 325 and UL 991 safety standards  
ETL listed

### Operating Temp

10°F to 140°F  
-12°C to 62°C  
Heater kit recommended for colder environments

### Shipping Weight

Approximately 125-185 lbs (56-84 kg)

### Warranty

5-year limited factory warranty

Distributed by:

### MEMBER:

