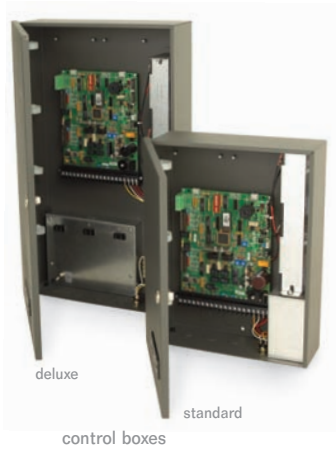
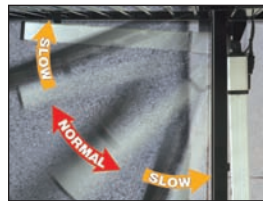




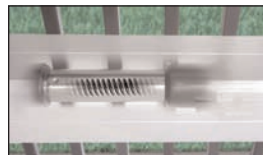
6002 VEHICULAR SWING GATE ACTUATOR



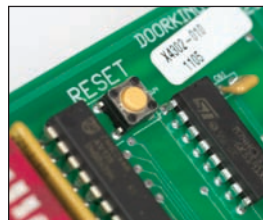
reliability
in a compact and simple to install design



smooth operation
no slamming when gate closes



fully enclosed
screw drive for added safety



built in
reset and test buttons

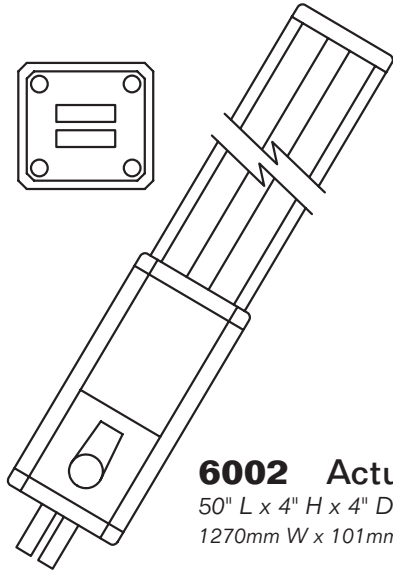
- Mounts directly on gate and gate-post – simplifying installation and eliminating the need for concrete pads
- The powerful screw drive connects directly to the gate eliminating weak mechanical connections
- Actuators are designed for gates up to 14-feet wide and are ideal for farms, ranches, and residential applications
- Built in limit switches precisely control the start/stop speed, and travel of the gate
- Fully enclosed screw
- 115 VAC input power. Actuator operates on 24 VDC power with built-in battery backup
- Plug-in loop detectors simplify wiring and make installation easy
- Bi-parting gate system controlled from single board

FEATURES

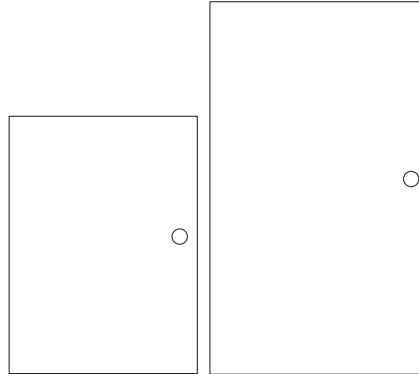
ACCESS CONTROL SOLUTIONS



The Model 6002 swing gate actuator offers convenience and reliability in a compact design. It mounts directly on your gate and pilaster, simplifying installation and eliminating the need for concrete pads. The powerful screw driven piston connects directly to the gate eliminating weak mechanical connections and it is fully enclosed to prevent dirt and other airborne corrosives from contaminating the screw threads. And there is no need to worry about hydraulic leaks, check valves or pumps.



6002 Actuator
50" L x 4" H x 4" D
1270mm W x 101mm H x 101mm D



Standard Control Box
12.25" W x 16.75" H x 4" D
(311mm W x 425mm H x 101mm D)
Deluxe Control Box
14.25" W x 24.25" H x 4" D
(362mm W x 616mm H x 101mm D)

Control Boxes

The microprocessor based electronic control board provides many advanced features typically not found in an operator in this class. Two control boxes are available to meet specific needs. The standard control box is typically used for applications not requiring power for

additional control devices, such as telephone entry systems or access control products. The deluxe control box provides three 115 VAC convenience outlets to power auxiliary power transformers. Both control boxes include batteries to power the actuator during power outages.

6002 Specs

Class of operation	Max Gate Length *	Max Gate Weight *	Control Panel	Power Actuator	Back-up
I, II	14 Ft 4.3 m	500 Lbs. 227 kg	115 VAC, 60 Hz	24 VDC from the control panel	batteries provided

*Assumes gate and hardware to be in good condition and swinging in a level plane

General Specs

Mechanical

Primary reduction: worm gear 1:27
Speed: 90° in approximately 12 seconds
Case: extruded aluminum
Useable rod stroke: 14.75"

Manual Release

Keyed release provided
Fail-secure mechanical

Note

Secondary entrapment prevention devices are required with this gate operator

Advanced Features

Fully enclosed drive mechanism
Adjustable built in limit switches precisely control the start / stop speed, and travel of gate for smooth operation
115 VAC input power
24 VDC operating power
Batteries included
Built-in battery charger
Ports for Exit and Reverse plug-in loop detectors
90° in approximately 12 seconds
110° maximum gate opening
Gate overlap feature for dual gate operation
Magnetic lock power circuit
Built-in reset and test buttons
Maximum run timer
Built-in high current warning

Operating Temp

32°F to 145°F
0°C to 62°C

Safety Standards

Complies with the UL 325 and UL 991 safety standards
ETL listed

Shipping Weight

Approximately 20-25 lbs (9-11.3 kg)

Warranty

2-year limited factory warranty

Distributed by:

DOOR KING, INC.

120 Glasgow Avenue, Inglewood, California 90301 U.S.A. Tel: 310-645-0023 FAX: 310-641-1586 www.doorking.com

© 2005 All Rights Reserved. Product specifications may change without notice. Rev. 12/05

MEMBER:

