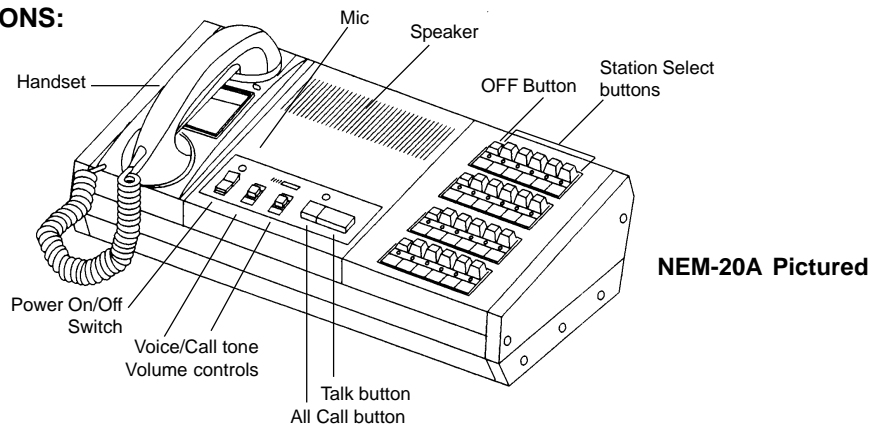


# NEM-A Master Stations

## NEM-10A, NEM-20A, NEM-30A, NEM-40A

### NAMES & FUNCTIONS:



### DESCRIPTION:

The NEM-A series is a selective calling open voice style intercom system. Masters are available in 10, 20, 30, and 40 station sizes, with optional 20 and 40 call add-on selectors. All masters have a VOX operated handset for private communication. Maximum capacity is 120 stations. Master stations can be wall or desk mounted.

Sub stations are available in surface or flush mount styles, with or without privacy. Outdoor stations are available in surface or flush mount styles. Vandal and weather resistant sub stations are also available.

Incoming calls from a sub station are annunciated with an electronic tone and an LED, remaining activated until the call is answered at the master or reset at the calling location. The master answers the call by selecting the button with the lit LED. Communication at the master is press-to-talk, release-to-listen. Person at the sub station speaks hands free. The master station can selectively call and talk with any sub station in the system. The privacy feature on selected sub stations prevents eavesdropping from the master station.

Several Special Order Product variations of this system are available. Additional features available through SOP are selective door release, CCTV camera call-up, two levels of call signaling from sub stations, and master units modified for long distance/elevator applications. See Aiphone's SOP catalog for more information on these systems.

### FEATURES:

- Console master system with Lamp Memory, where call-in signal remains until answered
- 10, 20, 30 and 40 call master stations
- VOX (voice actuated) handset on master station for privacy
- Expandable to 120 stations with the addition of 20 and 40 call add-on selectors
- Wide assortment of accessories to meet a variety of applications
- Push-to-talk or vox handset at master, hands free at sub station
- Selective calling, Group calling, or All Call
- Separate transmit, receive, All Call, and call tone volume controls
- Two master stations can be included in a system with NEW-5's (1 per 5 sub stations)

**ARCHITECTS/ENGINEERS' SPECIFICATIONS:**

The intercom system shall be of an open voice, selective calling type with individual selector buttons for each sub station. A handset on the master shall provide private communication to a sub station. Master stations shall be available in 10, 20, 30, and 40 call sizes, with 20 and 40 call add-on selectors available for expansion. Master station shall be simplex operation or VOX through the handset, with hands free response from the called sub.

Master station shall be equipped with station selector switches in rows of five, with an OFF button for each row. Communication controls include a TALK button and an All Call button. Transmit, Receive, All Call, and Call Tone volume controls shall be provided on the back of the master station. Receive and Call Tone volumes shall also have user-adjustable controls on the front of the master station.

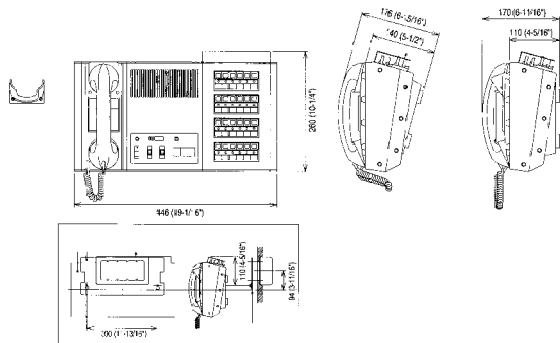
An incoming call shall be annunciated by an electronic ringing call tone, and the corresponding station LED shall light. Both the call tone and the LED shall remain active until the call is answered at the master or reset at the calling location. The LEDs above the selector buttons shall illuminate when the station button is pressed at the calling master. The OFF LED shall light on the row that has a sub station selected.

Master station shall be wall or desk mounted. Sub stations shall be available in the following configurations: (1) surface or flush mount styles; (2) surface mount with privacy; (3) ceiling mount; (4) weather resistant door stations in surface or flush mount styles, mounted on or in standard 1-gang or 2-gang boxes; (5) vandal proof weather resistant style, with optional surface mount box.

Optional features shall include background music through all sub stations in the system, and the ability to integrate paging zones.

Wiring shall be shielded, with 2 conductors homerun per sub station, or a multi-conductor cable with one common and one individual wire per station on the run, looped.

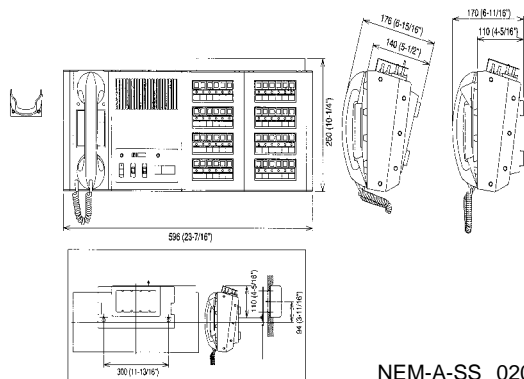
Manufacturer must have earned ISO 9001 certification for quality standards.

**Dimensions and Mounting: NEM-10A/20A**

*Intercom Solutions For  
Communications and Security*

**SPECIFICATIONS:**

Power:	24V DC
Power Source:	PS-2410A (NEM-10A, NEM-20A) or PS-24E (NEM-30A, NEM-40A)
Current Consumption:	
NEM-10A/20A:	Max. 1A, 80mA in standby
NEM-30A/40A:	Max. 1.9A, 160mA in standby
Communication Output:	Maximum 500mW at 20 ohms at master (with receive volume control at maximum)
Communication:	Push-to-talk or handset at master Hands free at sub
All Call Output:	6W per 20 sub stations 12W in a system over 20 stations 3W per 10 sub stations in group call
Talk Channel:	1 talk channel, 2 channels in a 2-master system when using NEW-5 adaptors
Calling:	LED and intermittent ringing tone at master until answered Pretone at sub station when called
Signal-to-Noise Ratio:	40dB
Frequency Response:	770 - 6800Hz
Total Harmonic Distortion:	3% @ 1000Hz at 20 ohms
Mounting:	Wall or desk mount
Wiring:	2 conductors per sub station homerun, or 1 common plus 1 individual wire per station, looped.
Wiring Distance:	420' w/22AWG; 1,000' w/18AWG

**Dimensions and Mounting: NEM-30A/40A**

NEM-A-SS 0200  
Printed in USA